

ENCORE CHAIR

- **Pneumatic-assisted manual recline mechanism uses patient weight for easy patient adjustments.**
- **Recline capability includes a completely flat position, or any position in between.**
- **Auto-return feature, when used with any Marco stand.**
- **Single-handed headrest operation provides smooth patient headrest adjustments.**
- **Standard fail-safe Marco hydraulic system.**
- **Fingertip panel controls for height adjustments are conveniently located on both sides of chair.**
- **Includes the same foot-activated rotation lock found on Marco's more expensive chairs.**
- **Scuff-resistant, high-impact covers on arms and chair base.**
- **Standard Marco ten-step, hand-finished painting process.**



The **Marco Encore Chair** continues the Marco tradition of useful features and unsurpassed quality. Its attractive, modern look blends beautifully with any office decor.

The Encore chair utilizes a manual system that takes advantage of the patient's own weight to recline smoothly. Whatever position is desired, it can be instantly achieved from completely flat to any reclined angle in between. A pneumatic-assisted system insures that the patient's return to upright is smooth and easy. The Encore Chair is easier to recline and more comfortable to use than any other chair in its class.

A single-handed headrest is standard with the Encore, and our unique lock indicator assures that the headrest is firmly and securely in position. Marco's standard fail-safe hydraulic system provides smooth elevation.

Electrical requirements: 110V AC, 50/60Hz, 7 amps maximum.



Encore Chair in fully reclined position



Fingertip switch panel



Ergonomic design

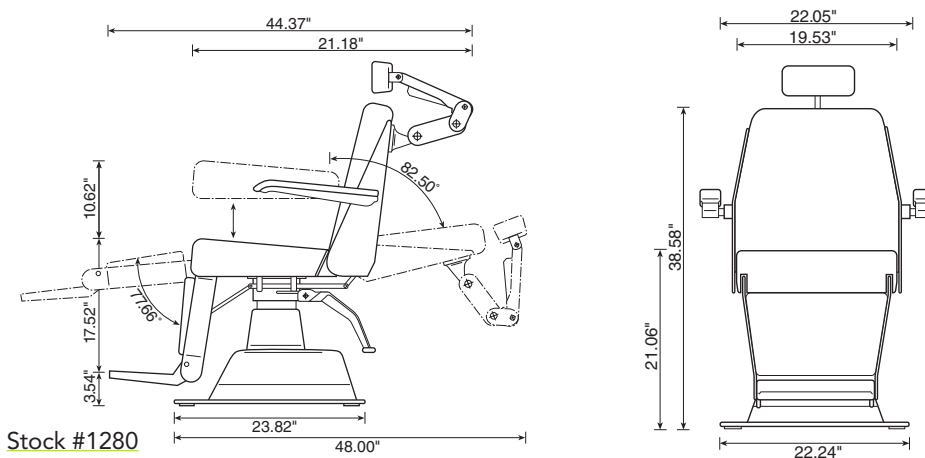


Single-handed headrest



Foot-activated rotation lock

MEASUREMENTS



Stock #1280

PLAY IT SAFE.

Protect your warranty. Buy your Marco product only from an authorized Marco distributor. Call Marco for the name of the distributor nearest you.



Ask your Marco Distributor about The Marco Package Plus Program.



800.874.5274
www.marco.com

